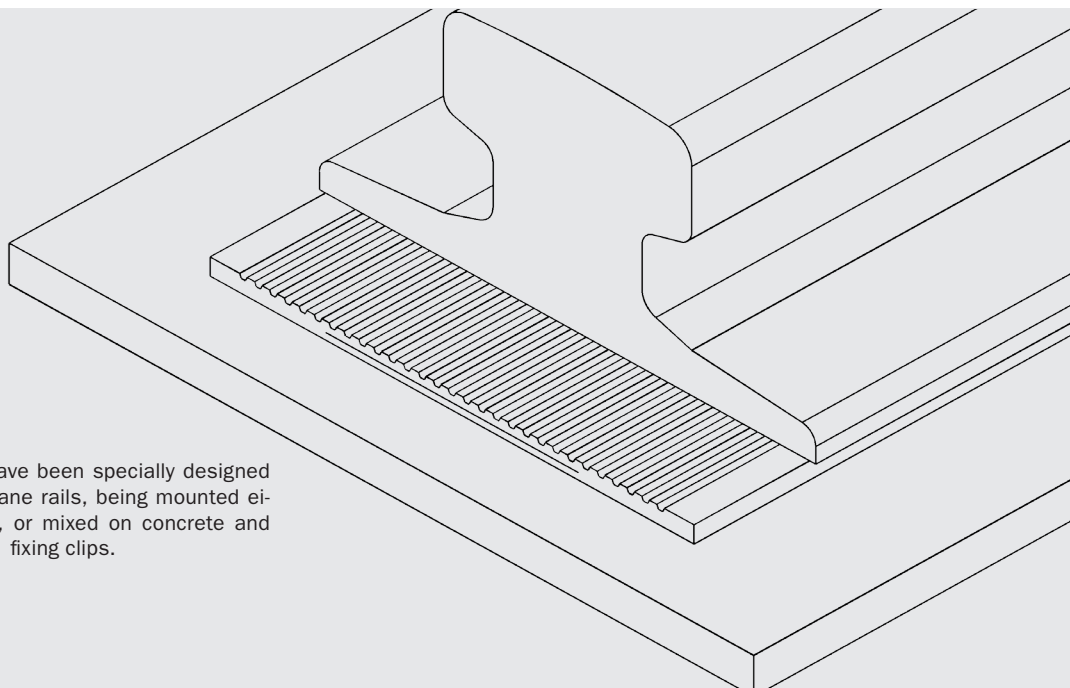


GANTREX®
ON TRACK. WITH YOU.

PAD - MK6.0



GANTREX® MK6.0 pads have been specially designed for the soft mounting of crane rails, being mounted either continuously on steel, or mixed on concrete and steel, along with GANTREX® fixing clips.

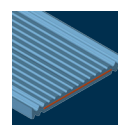
GENERAL CHARACTERISTICS

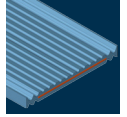
GANTREX® MK6.0 pads:

- are manufactured as a vulcanized synthetic elastomer strip, reinforced with a steel strip.
The upper face is grooved.
- reduce the wear of the rail and its support :
 - distribute the wheel load over a larger surface area;
 - eliminate the load concentrations and the resulting fatigue stresses;
 - absorb the uneven surfaces;
 - improve the contact between rail and support.
- are suitable for all normal environmental conditions.
- are designed for service temperatures from -25°C up to 100°C . Gantrex selects the rubber depending on the customer's application. Please contact Gantrex to specify your operating temperature.
- reduce noise and vibration : noise : typical reduction of 10 % in dbA levels.
vibrations : typical reduction of 48 %.

MATERIAL CHARACTERISTICS

- Synthetic elastomer reinforced with a steel strip

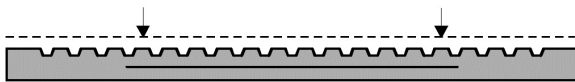




DESIGNATION AND DIMENSIONS

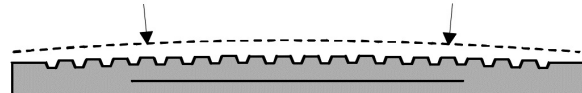
GANTREX® MK6.0 pads are supplied in 2 types to suit :

either flat rail feet



Flat reinforced : MK6.0-RF-NW
Thickness : 7 mm

or concave rail feet



Crowned reinforced MK6.0-RB-NW
Thickness : 8 mm in the centre

NW : nominal width, according to the rail foot. The effective width is reduced, always 5 to 10 mm less than the rail foot width.

Ex. : for mounting a A120 rail (foot width : F = 220 mm) : MK6.0-RB-220.

AVAILABLE PADS

RF - NW	Weight	RB - NW	Weight
mm	kg/m	mm	kg/m
90	0.8		
105	1.0		
115	1.1		
120	1.2		
125	1.2	125	1.2
130	1.3	130	1.3
140	1.4	140	1.4
150	1.4	150	1.5
155	1.6	155	1.6
		159	1.6
		165	1.7
175	1.8	175	1.9
190	1.9	180	2.0
200	1.9	200	2.2
220	2.2	220	2.4
		240	2.6
263	2.6		

- MK6.0 pads are supplied in standard lengths of 12 m, with tolerance of ± 50 mm. Smaller lengths (minimum 4 m) can be supplied : please consult us.
- For particular applications (namely circular tracks), very small lengths can be supplied, designed according to the track characteristics. Their ends could then be skew or “V” cut, or rounded... according to the application : please consult us.
- For specific cut lengths, please allow ± 5 mm tolerance on lengths.

We reserve the right to discontinue or change specifications or design at any time without prior notice and without incurring any obligation whatsoever.

